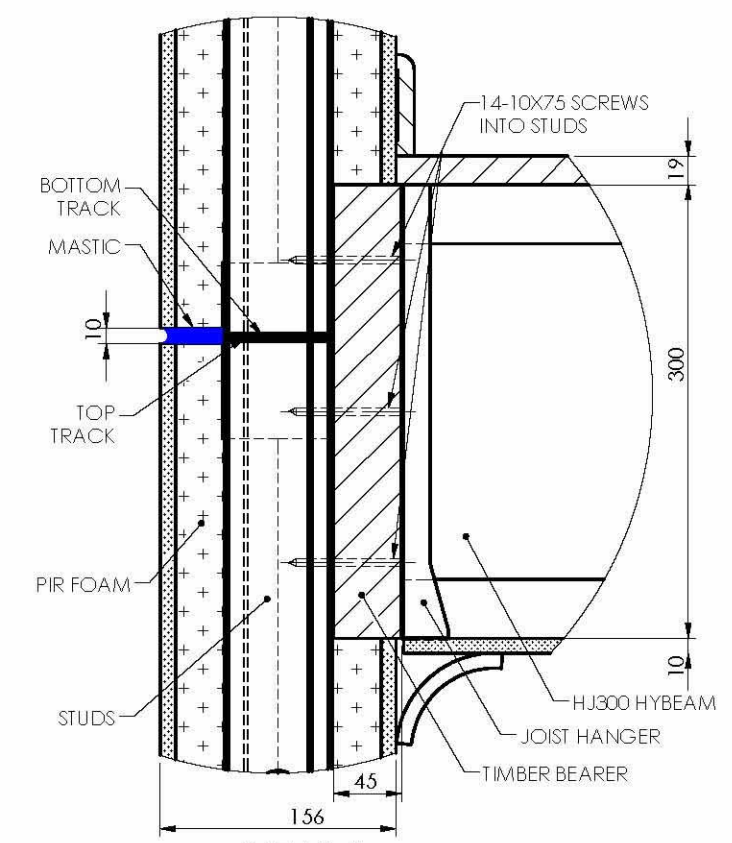
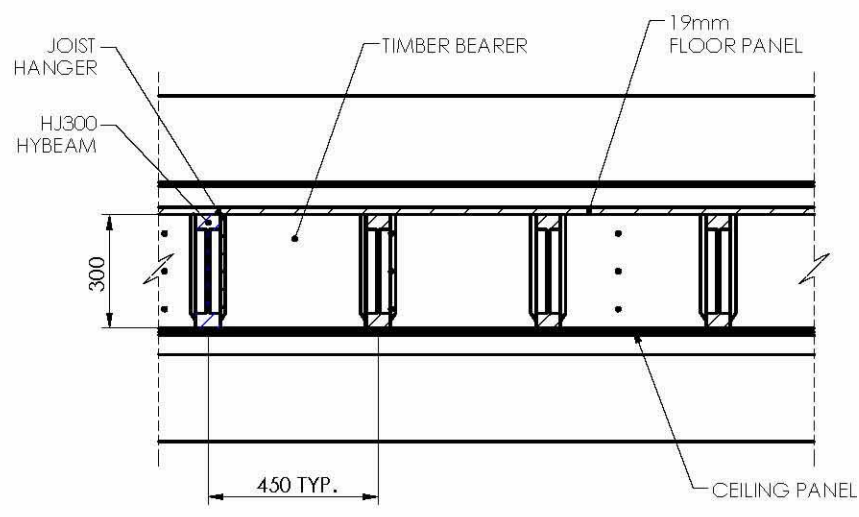


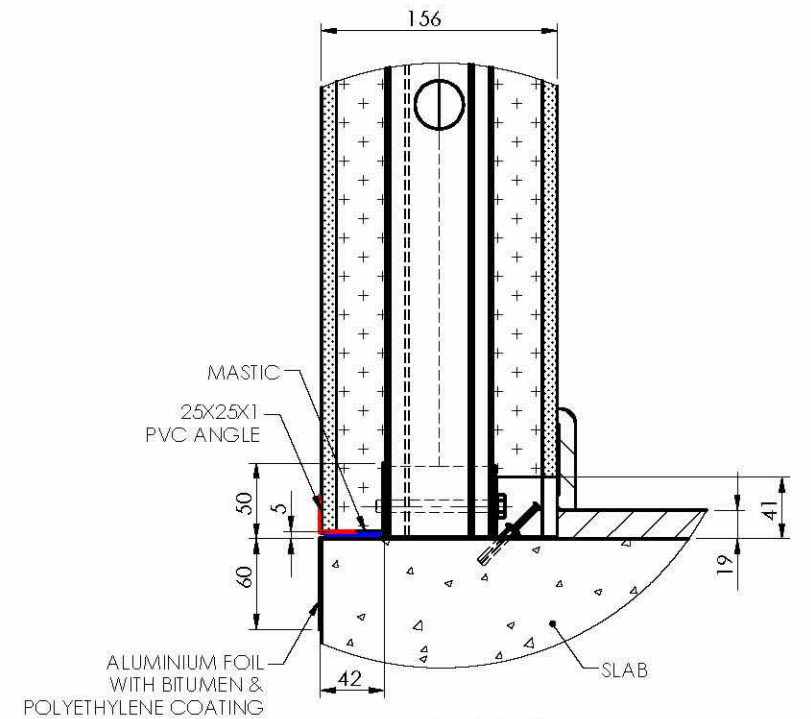
DETAIL A
SCALE 1 : 5



DETAIL B
SCALE 1 : 5



SECTION D-D



DETAIL C
SCALE 1 : 5



			NAME	SIGNATURE	DATE	TITLE:	
DRAWN						EXTERNAL WALL DETAILS	
CHK'D							
APPV'D							
MFG							
Q.A							
WEIGHT: --						FINISH:	DWG NO. SD-001
SCALE: 1:20						DO NOT SCALE DRAWING	REVISION: B-02
							SHEET 1 OF 1

A3