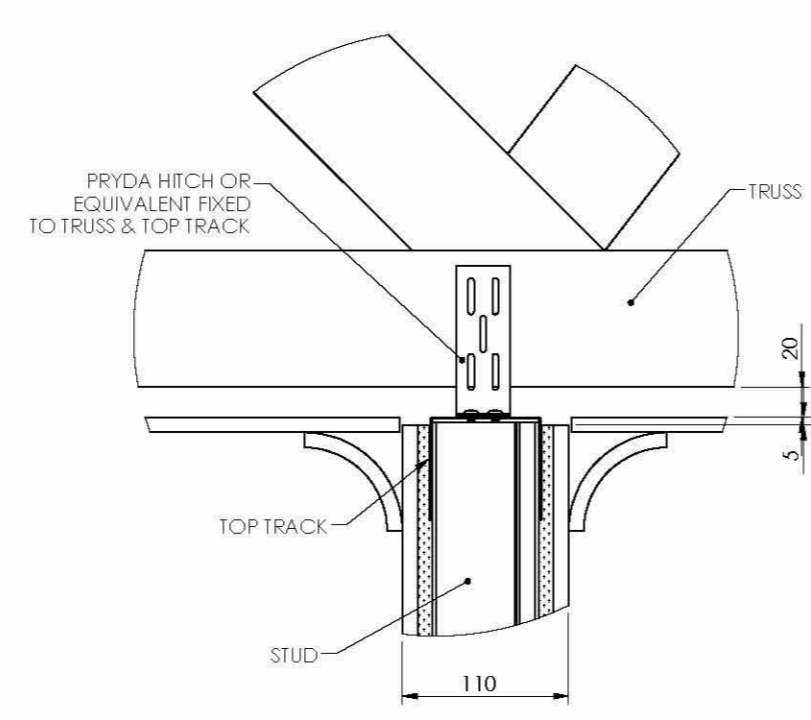
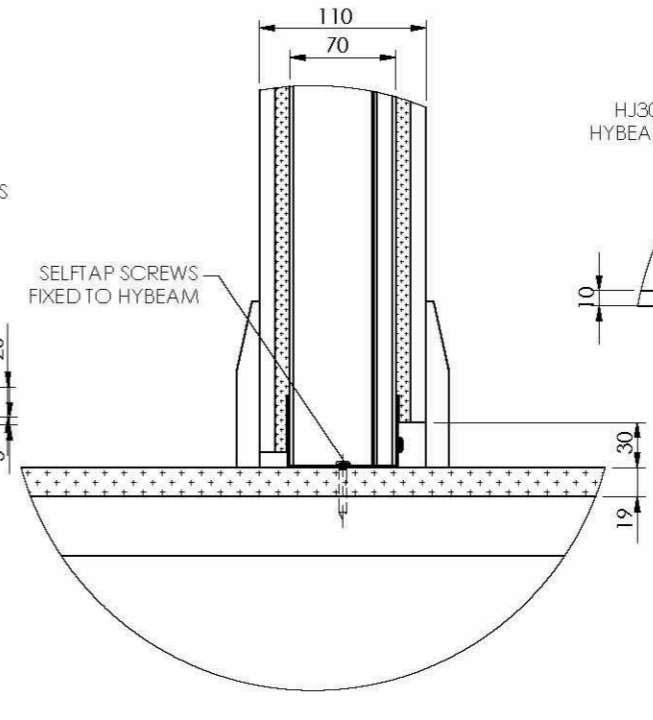


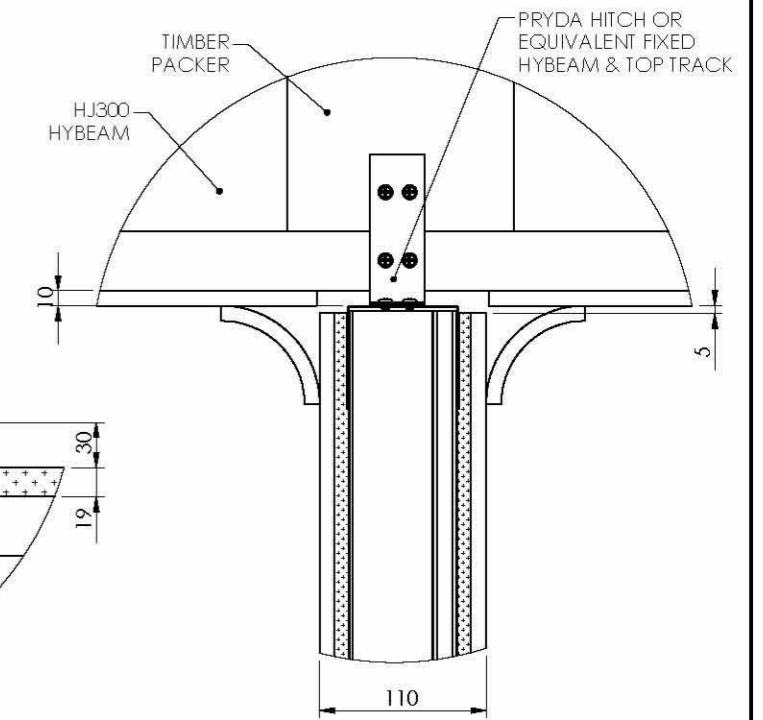
SECTION S-S



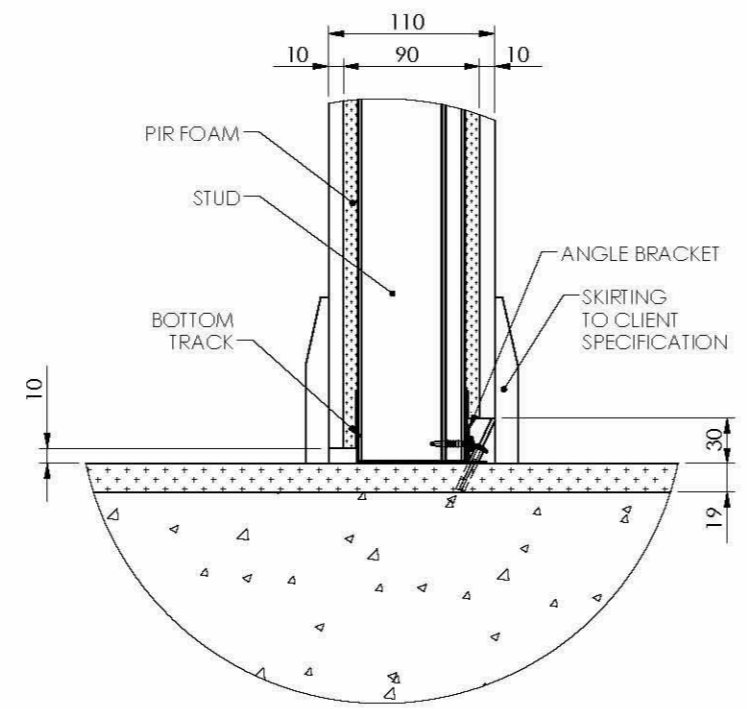
DETAIL A
SCALE 1 : 5
SD-004 FOR CONNECTION DETAILS



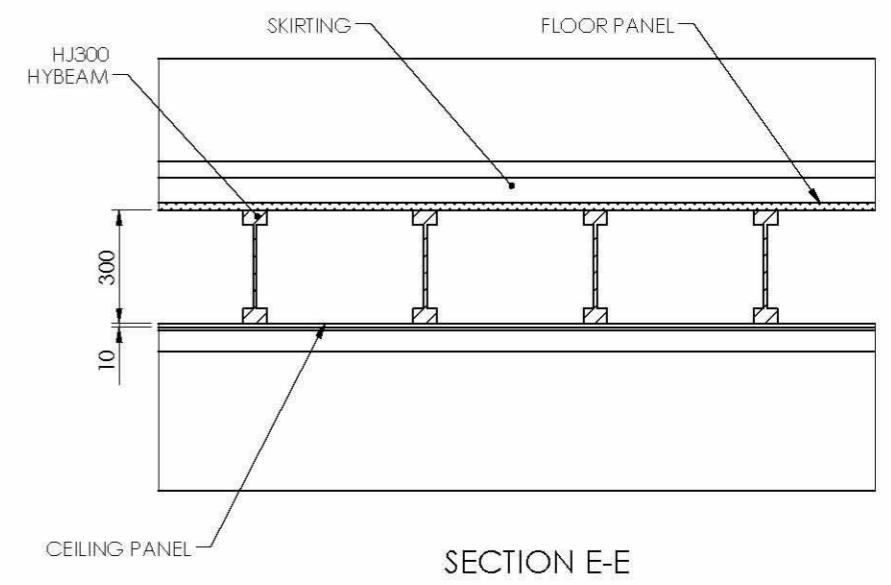
DETAIL B
SCALE 1 : 5



DETAIL C
SCALE 1 : 5



DETAIL D
SCALE 1 : 5
SD-002 FOR CONNECTION DETAILS



SECTION E-E

	NAME	SIGNATURE	DATE	TITLE: INTERNAL WALL CONNECTION DETAIL	
	DRAWN				
	CHK'D				
	APPV'D				
	MFG				
Q.A				DWG NO. SD-002	
WEIGHT: 7847.46	FINISH:	SCALE: 1:20	DO NOT SCALE DRAWING	REVISION: B-01	SHEET 1 OF 1