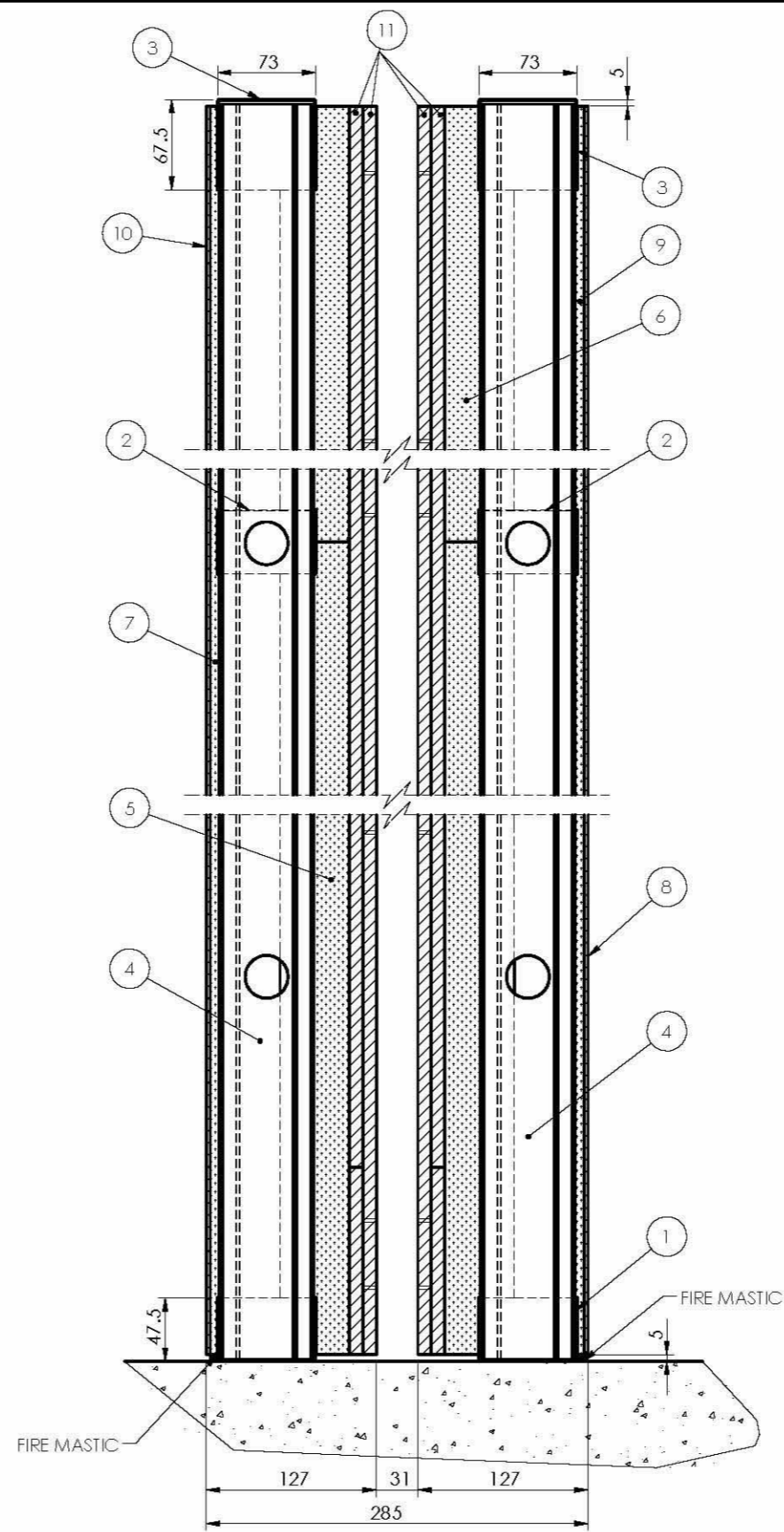
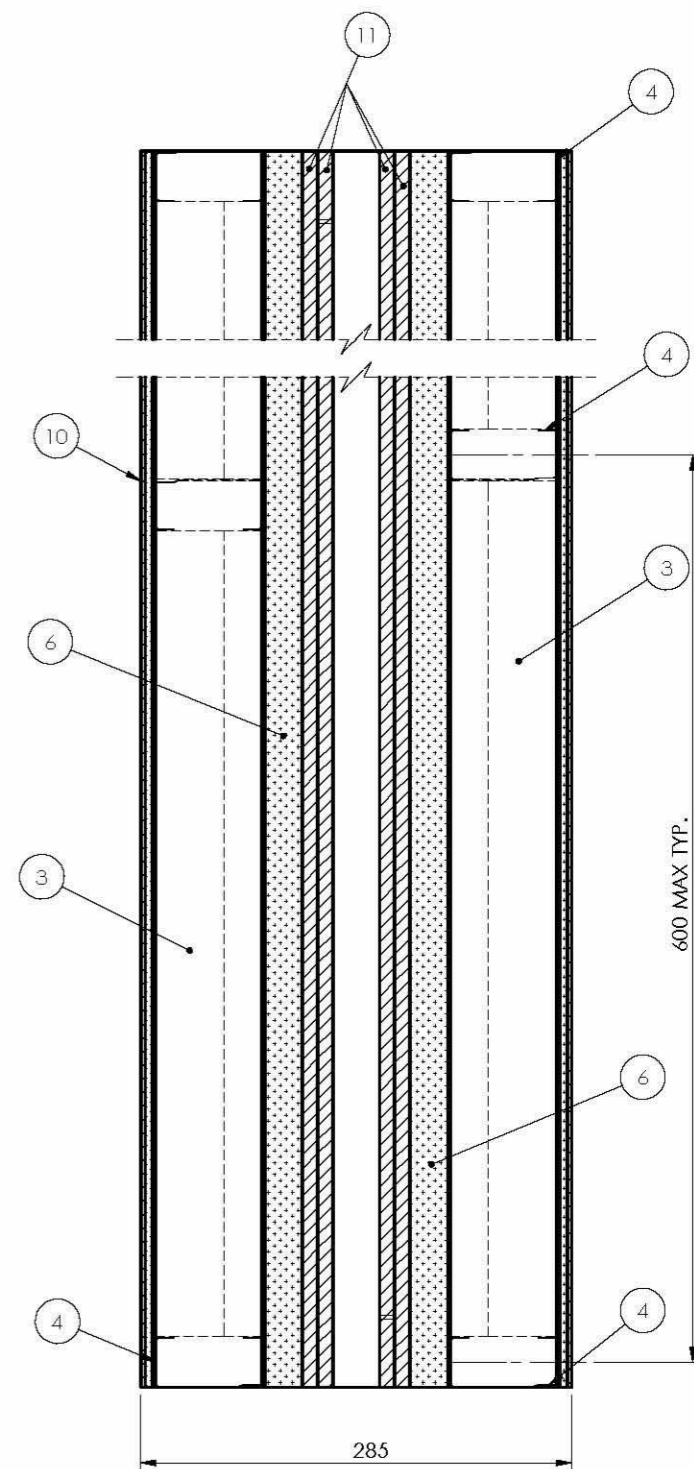


ISOMETRIC VIEW



FRONT VIEW



TOP VIEW

ITEM NO.	DESCRIPTION	QTY.	MATERIAL	LENGTH	WEIGHT
1	BOTTOM PLATE	2	G.550 AZ150	3000	2.15
2	NOGGIN TRACK	2	G.550 AZ150	3000	2.08
3	TOP PLATE	2	G.550 AZ150	3000	4.58
4	STUD	12	G.550 AZ150	3145	2.32
5	52mm SIDE 'B'	2	PIR	3000	9.27
6	52mm SIDE 'B'	2	PIR	3000	9.21
7	52mm SIDE 'A'	2	PIR	3000	15.37
8	3mm ALPHA GYPSUM	2	Alpha Gypsum	3000	24.30
9	52mm SIDE 'A'	2	PIR	3000	2.25
10	3mm ALPHA GYPSUM	2	Alpha Gypsum	3000	3960.00
11	10mm MAGBOARD	24	Mag Board	3000	18.36

	NAME	SIGNATURE	DATE	TITLE: LOAD BEARING FIREWALL PANELS DETAILS
	DRAWN			
	CHK'D			
	APPV'D			
	MFG			
Q.A				DWG NO. SD-003
WEIGHT: 558.58		FINISH:		SCALE: 1:5 DO NOT SCALE DRAWING REVISION: Revision No SHEET 1 OF 1